

USB1.1 UVC VGA (0.3M pixel) Camera Module

< Solution : OV7740 + iP2970 >

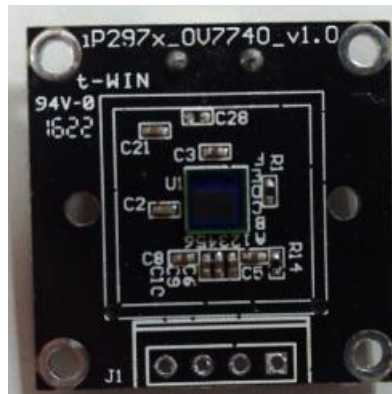
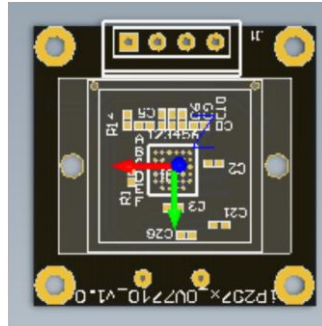
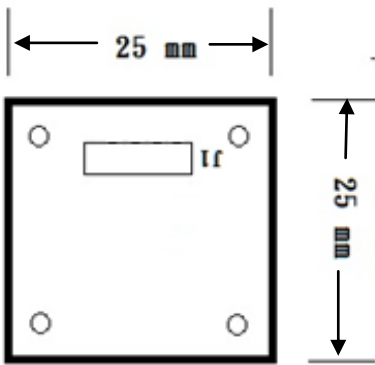
Table of Contents

- 1. Specification : 3
- 2. Photo of board..... 4
- 3. Pins Definition of Connectors 4
- 4. Lens Specification 5

1. Specification :

Model No.		
Module	Items	Specification
	Module Size w/o Lens	25mm x 25 mm x 8 mm
	Temperatue(Operation)	0 ~70 ⁰ C
	Focus	Fix
	Power Consumption	83mA
	Power Supply	5.0 Vdc
	USB Interface	USB 2.0 Full speed & UVC
Image Sensor	Image Format	1/5" CMOS Sensor (OV7740)
	Resolution	640 x 480
	Pixel Size	4.2um x 4.2um
	Output Format	YUV
	Sensitivity	6800mV/Lux-sec
	Frame Rate	30fps
	Auto Exposure Control	Yes
	Auto White Balance	Yes
	Auto Gain Control	Yes
	Package	CSP 32pin
	Power	Analog : 3.3V typical I/O : 2.8V typical Core : 1.5V typical
Lens	Structure	4P + (650nm / 850nm) IR
	EFL	2.3 mm
	F.No	2.6
	Field of View	57 ⁰ ± 5 %
	Distortion	< 12%
	Focus Type	Fixed
Image Processor	IC Part Number	iP2970
	USB UVC Protocool	Yes
	Video Compression	MJPEG
	Max. Video resolution	0.3M pixel
	Motion Detection function	Yes
	Output/control Interface	USB2.0 Full speed UVC

2. Photo of board



3. Pins Definition of Connectors

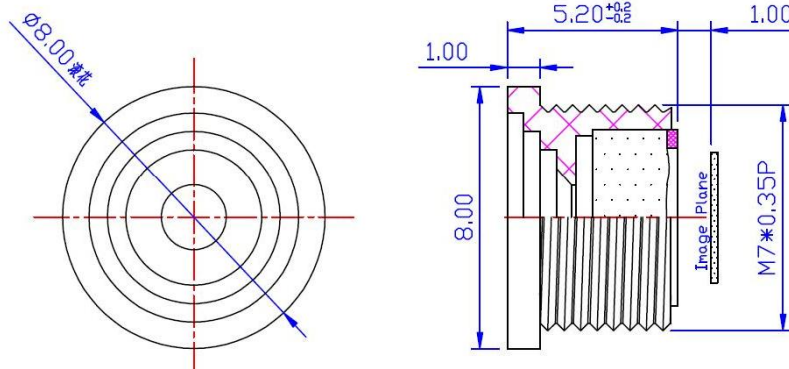
Pin No.	1	2	3	4
Connector				
J1	GND	D ⁺	D ⁻	5V

4. Lens Specification

< Lens : 4P + (650nm / 850nm) IR >

SPECIFICATION:

- 1.Format : 1/5"
- 2.EFFL : 2.3mm
- 3.Image Space : F2.6
- 4.Field Angle : 90°(D)
- 5.Stop : Fixed
- 6.Screw Connect : M7 x P0.35
- 7.Construction : 4P



< Lens Holder >

